

ST29 (A658)

This parts catalog is includes Mb.No 1 to 3

PARTS CATALOG

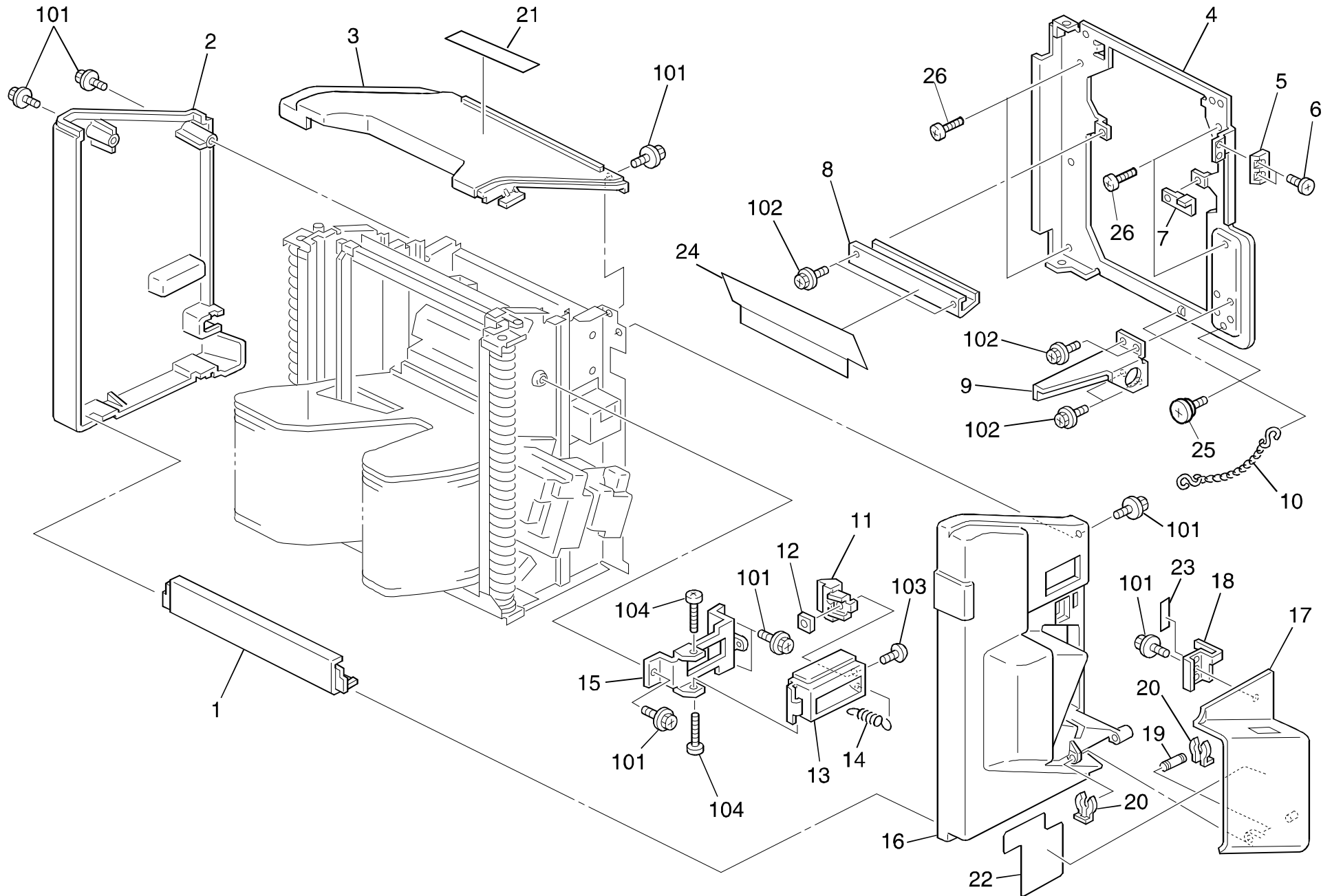
INTRODUCTION

This chapter instructs you the numbers and names of parts on this machine.

INDEX to PARTS CATALOG

1.EXTERIOR (A658)	2
2.STAPLE UNIT (A658).....	4
3.TRANSPORT SECTION (A658).....	6
4.BIN DRIVE SECTION (A658).....	8
5.FRAME AND ELECTRICAL (A658)	10
6.DECAL AND DOCUMENT (A658)	12
PARTS INDEX	17

1. EXTERIOR (A658)

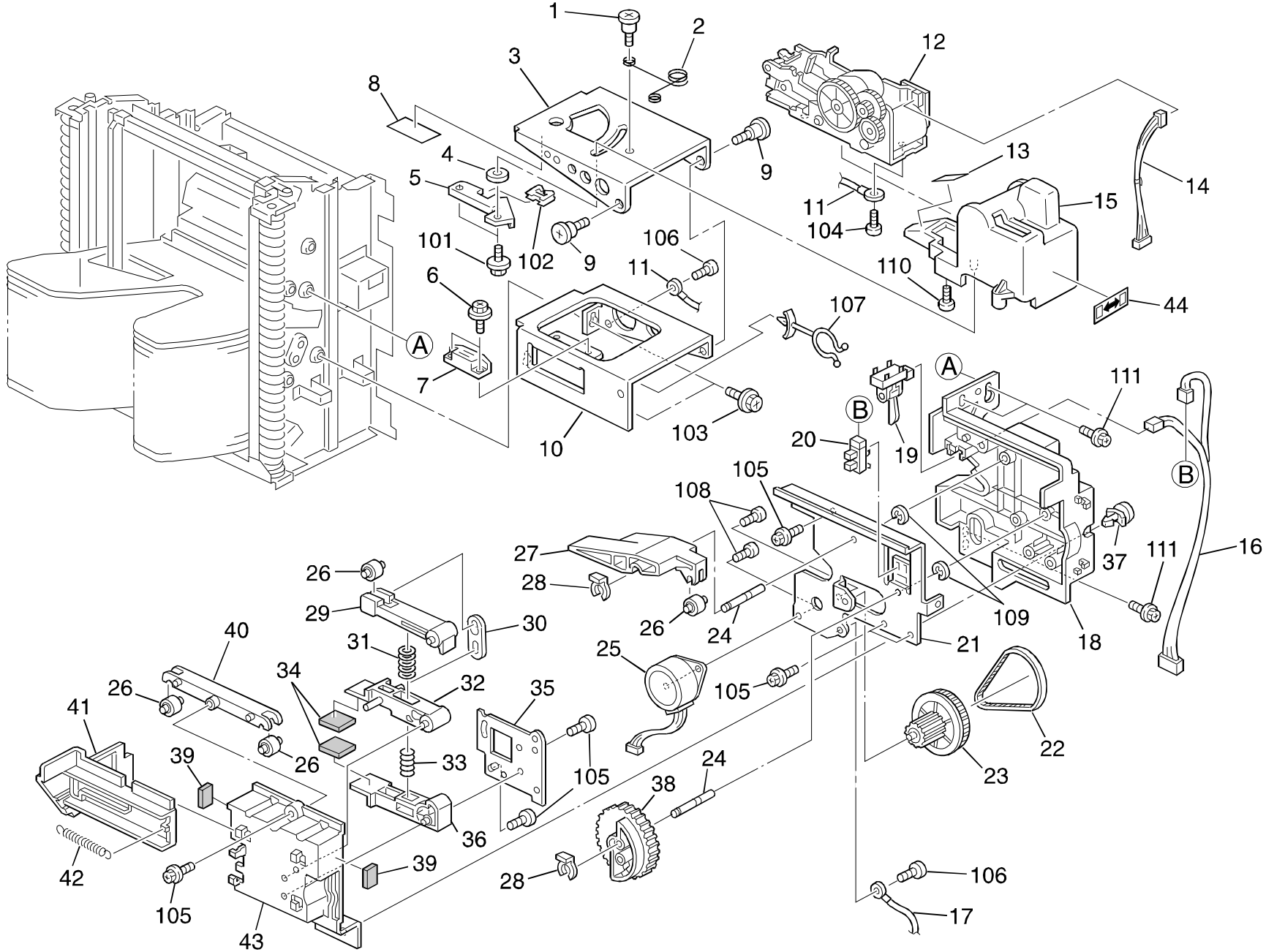


1. EXTERIOR (A658)

Index No.	Part No.	Description	Q'ty Per Assembly
1	A658 1541	Lower Cover	1
2	A658 1551	Rear Cover	1
3	A658 1511	Upper Cover	1
4	A658 1181	Coupling Frame	1
5	A555 1231	Gate Pawl Bracket	1
6	AA14 3396	Screw - M4X4	2
7	A658 1146	Safety Switch Lever	1
8	A658 2116	Entrance Guide	1
9	A658 1142	Release Guide Plate	1
10	A555 6111	Door Stopper	1
11	A555 1566	Release Handle Pawl	1
12	A555 4156	Plate Nut - M4	1
13	A555 1551	Grip	1
14	AA06 0601	Release Spring	1
15	A658 1161	Bracket Knob	1
16	A658 1521	Front Cover	1
17	A658 1531	Stapler Door	1
18	A658 1168	Magnetic Catch	1
19	A658 1591	Door Shaft	1
20	5447 2681	Snap Ring	2
21	A658 1820	Decal - Misfeed Removal	1
22	A658 1830	Decal - Staple	1
23	A658 1169	Magnetic Vatch Mylar	1
24	A658 2117	Paper Extit Guide	1
25	AA14 3478	Screw : MM9	1
26	A089 3607	Shoulder Screw	4

Index No.	Part No.	Description	Q'ty Per Assembly
101	0802 5255	Tapping Screw - M3x8	
102	0451 3006B	Tapping Screw - M3x6	
103	0344 0060F	Philips Truss Head Screw - M4x6	
104	0314 0200B	Philips Pan Head Screw - M4x20	

2. STAPLE UNIT (A658)

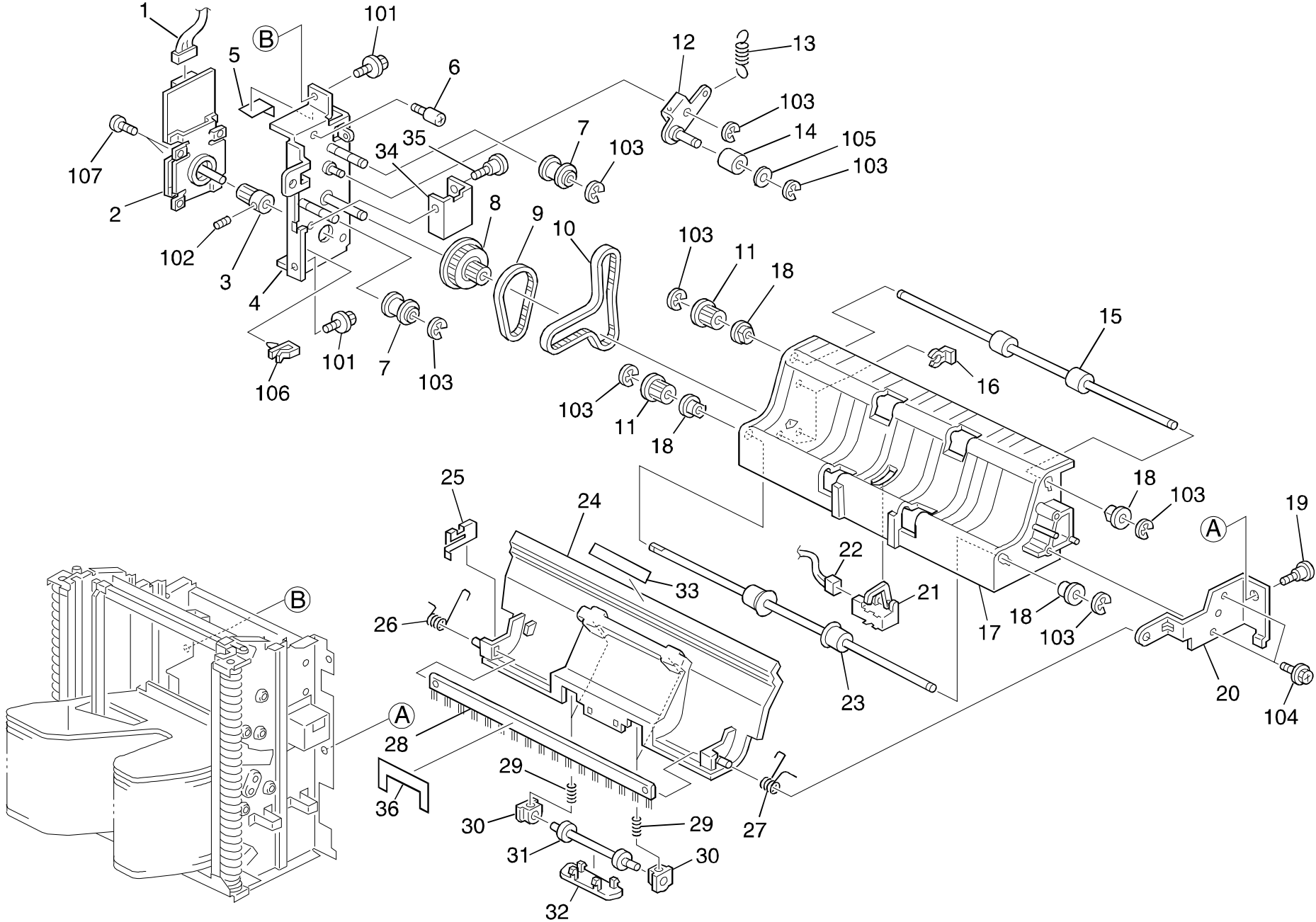


2. STAPLE UNIT (A658)

Index No.	Part No.	Description	Q'ty Per Assembly
1	5403 6246	Stepped Screw - Cleaning	1
2	AA06 6567	Spring	1
3	A658 4181	Stapler Drive Bracket	1
4	AA13 2152	Spacer - 8 X 20 X 1	1
5	A658 4182	Staple Fixing Plate	1
6	AA14 0140	Screw - M3x4.5	2
7	AG07 0004	Magnetic Catch	1
8	A658 4192	Magnet Catch Plate	1
9	5442 1659	Stepped Screw - M4	2
10	A658 4171	Stapler Bracket	1
11	A658 5390	Grounding Wire	1
12	AJ01 1011	Stapler - EH155R	1
13	A658 4184	Lower Entrance Guide	1
14	A658 5260	Stapler Harness	1
15	A658 4183	Stapler Inner Cover	1
16	A658 5320	Stapler Sensor Harness	1
17	A555 5410	Grounding Harness	1
18	A658 4141	Stapler Support Plate	1
19	AW02 0049	Photointerruptor - OS - 580213-703	1
20	AW02 0075	Photointerrupter	1
21	A555 4521	Chuck Motor Bracket	1
22	AA04 3226	Timing Belt - 180S2M	1
23	AB01 3919	Gear - 60Z	1
24	A555 4561	Chuck Movement Shaft	2
25	AX04 0056	Stepping Motor - DC9.5V 9.0W	1
26	A499 2444	Middle Belt Roller	4
27	A555 4532	Pressure Arm	1
28	5447 2681	Snap Ring	2
29	A555 4442	Middle Arm	1
30	A555 4426	Arm Link	1
31	AA06 3527	Pressure Spring	1
32	A555 4422	Upper Chuck Pawl	1
33	AA06 3528	Pressure Spring	1
34	A555 4423	Chuck Arm Pad	2
35	A555 4416	Chuck Move Bracket	1

Index No.	Part No.	Description	Q'ty Per Assembly
36	A555 4432	Lower Chuck	1
37	A555 4476	Chuck Unit Fixer	1
38	A658 4121	Stapler Cam	1
39	A555 4461	Chuck Movement Pad	2
40	A555 4456	Roller Holder	1
41	A555 4451	Chuck Side Fence	1
42	A300 3759	Spring	1
43	A555 4411	Chuck Move Plate	1
44	A658 1850	Decal - Stapler Change	1
101	0450 3008B	Tapping Screw - M3x8	
102	1105 0329	Clamp - ES-0510	
103	0451 3006B	Tapping Screw - M3x6	
104	0314 0060B	Philips Pan Head Screw - M4x6	
105	0802 5238	Tapping Screw - M4x12	
106	0950 4006B	Screw - M4X6	
107	1105 0287	Wire Saddle	
108	0313 0050B	Philips Pan Head Screw - M3x5	
109	0720 0040E	Retaining Ring - M4	
110	0951 4008B	Philips Screw With Washer - M4x8	
111	0951 3006B	Philips Screw With Washer - M3x6	

3. TRANSPORT SECTION (A658)

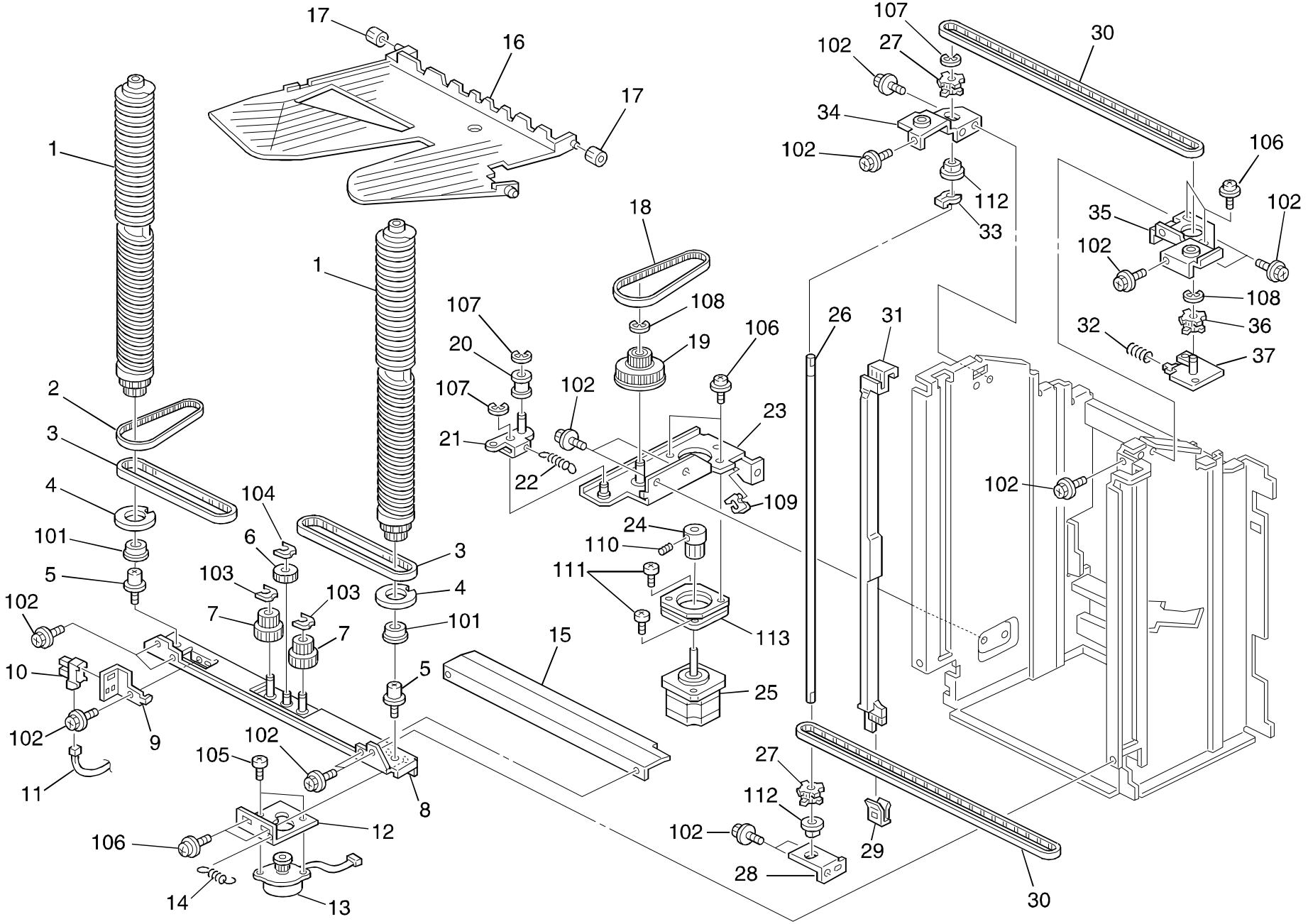


3. TRANSPORT SECTION (A658)

Index No.	Part No.	Description	Q'ty Per Assembly
1	A658 5360	Motor Harness	1
2	AX05 0098	DC Motor - D24V 6W	1
3	AB03 0546	Timig Pulley - T23 S2m	1
4	A658 2131	Drive Support Plate	1
5	A658 2152	Motor Upper Cover	1
6	5409 1855	Mounting Pin	1
7	A548 2139	Idle Pulley	2
8	A555 2156	Timing Pulley - 60Z/18Z	1
9	AA04 3471	Timing Belt - B40S2M166	1
10	AA04 3463	Timing Belt - B40S2M316	1
11	AB03 0496	Timing Pulley - 18Z	2
12	A658 2126	Tightner Bracekt	1
13	AA06 0685	Tension Spring:transport:8n	1
14	A377 4417	Support Roller	1
15	A658 2141	Transport Roller	1
16	5447 2681	Snap Ring	3
17	A658 2111	Lower Guide Plate	1
18	5053 0447	Bushing - 6mm	4
19	5442 1659	Stepped Screw - M4	1
20	A658 2124	Front Guide Bracket	1
21	AW02 0092	Photointerrupter	1
22	A658 5330	Paper Exit Harness	1
23	A658 2142	Exit Roller	1
24	A658 2121	Upper Entrance Guide	1
25	A658 2147	Grounding Plate	1
26	AA06 6566	Spring	1
27	AA06 6565	Spring	1
28	A555 2161	Anti Static Brush	1
29	AA06 3553	Pressure Spring	2
30	AA08 0225	Bushing - M6	2
31	AF02 2096	Roller:driven	1
32	A658 2125	Driven Roller Cover	1
33	A658 1840	Decal - Release Guide	1
34	A658 2151	Transport Drive Cover	1
35	AA14 3478	Stepping Screw - M9	1

Index No.	Part No.	Description	Q'ty Per Assembly
36	A834 2145	Film - Exit Antistatic Brush	1
101	0451 3006B	Tapping Screw - M3x6	
102	0574 0050E	Hexagon Headless Set Screw - M4x5	
103	0720 0040E	Retaining Ring - M4	
104	0450 3008B	Tapping Screw - M3x8	
105	0807 4103	Spacer - 0.5mm	
106	1105 0200	Clamp	
107	0314 0060B	Philips Pan Head Screw - M4x6	

4. BIN DRIVE SECTION (A658)

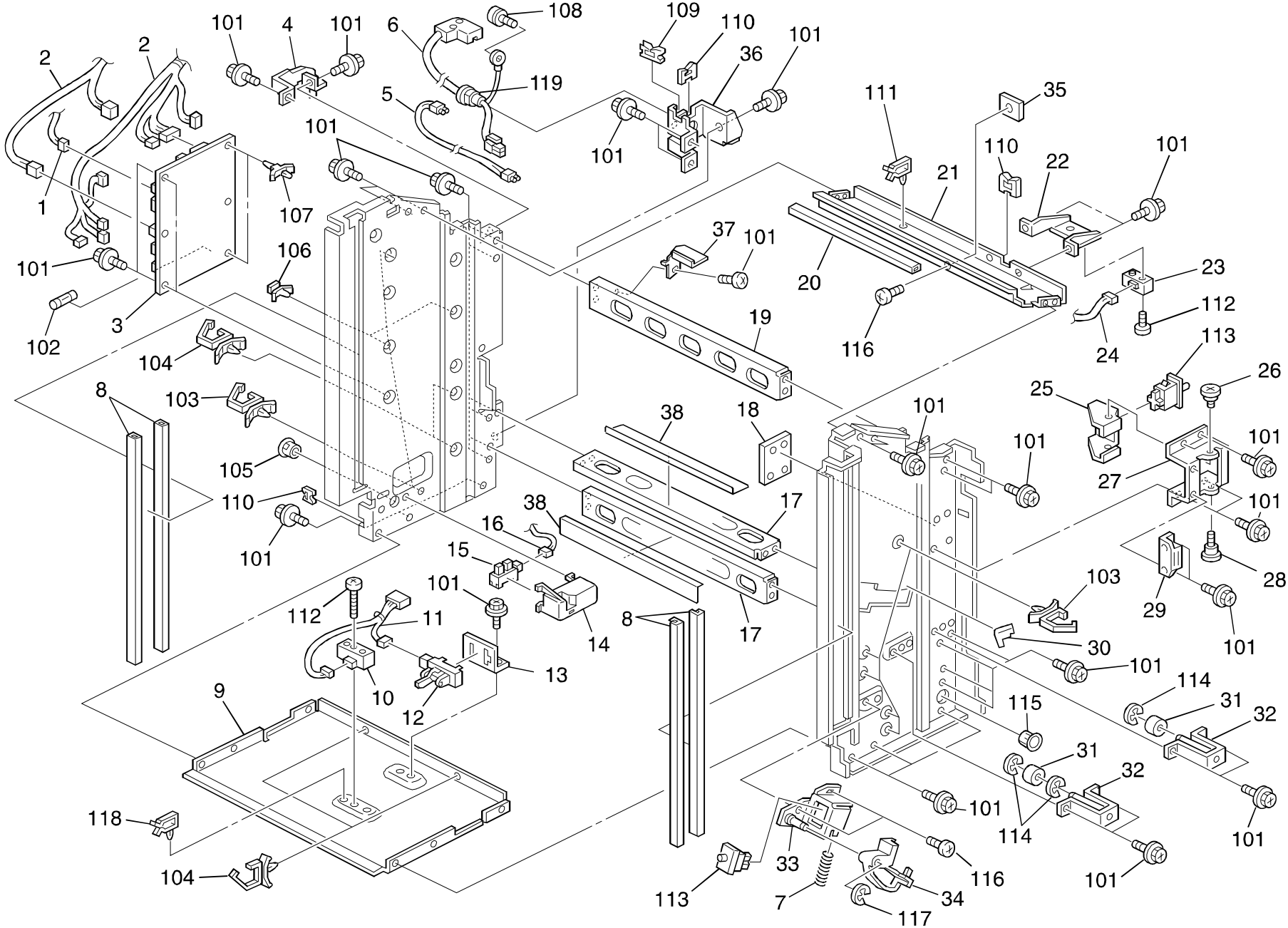


4. BIN DRIVE SECTION (A658)

Index No.	Part No.	Description	Q'ty Per Assembly
1	A658 3121	Cam Shaft	2
2	AA04 3464	Timing Belt - B80S3M264	1
3	AA04 3466	Timing Belt - B80S5M475	2
4	A658 3124	Shading Plate	2
5	A377 1116	Stud Screw - M6	2
6	A658 3144	Gear - 18Z	1
7	A658 3145	Gear - 26Z	2
8	A658 1131	Base Ass'y	1
9	A658 3125	H.p. Sensor Bracket	1
10	AW02 0075	Photointerrupter	1
11	A658 5310	Jogger Sensor Harness	1
12	A658 4115	Jogger Motor Bracket	1
13	AX04 0095	Stepping Motor - 24V	1
14	AA06 0672	Belt Spring	1
15	A658 1581	Timing Belt Cover	1
16	A555 3102	Bin Ass'y	1
17	A377 3447	Small Guide Roller	2
18	AA04 3465	Timing Belt - 214P2M8	1
19	A555 3159	Timing Pulley	1
20	A548 2139	Idle Pulley	1
21	A658 3136	Tightnerbracket	1
22	AA06 0671	Tension Spring	1
23	A658 3131	Motor Bracket	1
24	AB03 0547	Timing Pulley - T30 S2M	1
25	AX05 0110	Stepping Motor - 2.4V 7.2W	1
26	A658 4118	Jogger Drive Shaft	1
27	AB03 0389	Timing Pulley - Jogger - Drive	2
28	A658 4117	Lower Shaft Bracket	1
29	A354 4475	Timing Belt Stopper - Side fence	1
30	AA04 3403	Timing Belt - B40S3M858	2
31	A658 4111	Jogger Shaft	1
32	AA06 3554	Pressure Spring	1
33	5447 2681	Snap Ring	1
34	A658 3123	Front Lower Bracket	1
35	A658 3122	Front Upper Bracket	1

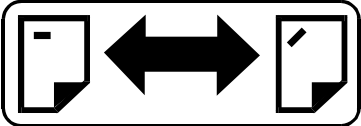
Index No.	Part No.	Description	Q'ty Per Assembly
36	AB03 0388	Pulley - 16Z	1
37	A555 4141	Jogger Tension Bracket	1
101	0741 3006	Ball Bearing - 6x17x6mm	
102	0451 3006B	Tapping Screw - M3x6	
103	0805 0088	Retaining Ring - M6	
104	0805 0089	Retaining Ring - M4	
105	0313 0050B	Philips Pan Head Screw - M3x5	
106	0951 4006B	Philips Screw With Washer - M4x6	
107	0720 0040E	Retaining Ring - M4	
108	0720 0060E	Retaining Ring - M6	
109	1105 0349	Edge Saddle	
110	0574 0050E	Hexagon Headless Set Screw - M4x5	
111	0314 0080B	Philips Pan Head Screw - M4x8	
112	0805 3384	Bushing - 5mm	
113	1005 0946	Stepping Motor Cushion	

5. FRAME AND ELECTRICAL (A658)





6. DECAL AND DOCUMENT (A658)

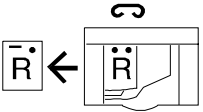
1

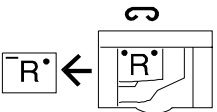



2




 2-20 

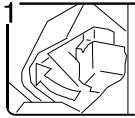
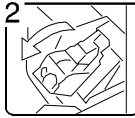
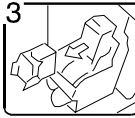


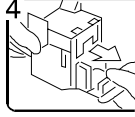
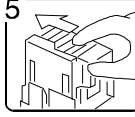
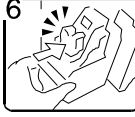




 A5
 5%×8%

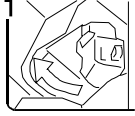

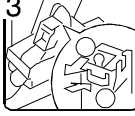
3


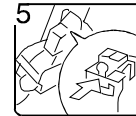



 1 
 2 
 3 

 4 
 5 
 6 



 1 
 2 
 3 

 4 
 5 
 6 

6. DECAL AND DOCUMENT (A658)



Index No.	Part No.	Description	Q'ty Per Assembly
1	A555 1850	Decal - Staple Position	1
2	A658 1850	Decal - Staple Change	1
3	A658 1830	Decal - Staple	1

Index No.	Part No.	Description	Q'ty Per Assembly

PARTS INDEX

Part No.	Description	Page and Index No.
A658 1126	Lower Stay	11- 9
A658 1131	Base Ass'y	9- 8
A658 1135	Upper Right Stay	11- 19
A658 1136	Stay	11- 17
A658 1137	Upper Stay	11- 21
A658 1138	Upper Sensor Bracket	11- 22
A658 1139	Missfeed Removal Guide	11- 38
A658 1142	Release Guide Plate	3- 9
A658 1143	Release Guide Bracket	11- 32
A658 1146	Safety Switch Lever	3- 7
A658 1151	Upper Cover	11- 4
A658 1156	Lower Joint Bracket	11- 36
A658 1161	Bracket Knob	3- 15
A658 1166	Switch Bracket	11- 27
A658 1167	Switch Lever	11- 25
A658 1168	Magnetic Catch	3- 18
A658 1169	Magnetic Vatch Mylar	3- 23
A658 1171	Bin Guide	11- 8
A658 1172	Upper Jogger Guide	11- 20
A658 1176	Screw Cover	11- 18
A658 1181	Coupling Frame	3- 4
A658 1183	Stopper Cover	11- 37
A658 1511	Upper Cover	3- 3
A658 1521	Front Cover	3- 16
A658 1531	Stapler Door	3- 17
A658 1541	Lower Cover	3- 1
A658 1551	Rear Cover	3- 2
A658 1581	Timing Belt Cover	9- 15
A658 1591	Door Shaft	3- 19
A658 1820	Decal - Misfeed Removal	3- 21
A658 1830	Decal - Staple	13- 3
A658 1830	Decal - Staple	3- 22
A658 1840	Decal - Release Guide	7- 33
A658 1850	Decal - Staple Change	13- 2
A658 1850	Decal - Stapler Change	5- 44

Part No.	Description	Page and Index No
A658 2111	Lower Guide Plate	7- 17
A658 2116	Entrance Guide	3- 8
A658 2117	Paper Exit Guide	3- 24
A658 2121	Upper Entrance Guide	7- 24
A658 2124	Front Guide Bracket	7- 20
A658 2125	Driven Roller Cover	7- 32
A658 2126	Tightner Bracekt	7- 12
A658 2131	Drive Support Plate	7- 4
A658 2141	Transport Roller	7- 15
A658 2142	Exit Roller	7- 23
A658 2147	Grounding Plate	7- 25
A658 2151	Transport Drive Cover	7- 34
A658 2152	Motor Upper Cover	7- 5
A658 3121	Cam Shaft	9- 1
A658 3122	Front Upper Bracket	9- 35
A658 3123	Front Lower Bracket	9- 34
A658 3124	Shading Plate	9- 4
A658 3125	H.p. Sensor Bracket	9- 9
A658 3131	Motor Bracket	9- 23
A658 3136	Tightnerbracket	9- 21
A658 3141	Bin H.p. Sensor Bracket	11- 13
A658 3144	Gear - 18Z	9- 6
A658 3145	Gear - 26Z	9- 7
A658 4111	Jogger Shaft	9- 31
A658 4115	Jogger Motor Bracket	9- 12
A658 4116	Jogger Lower Guide	11- 14
A658 4117	Lower Shaft Bracket	9- 28
A658 4118	Jogger Drive Shaft	9- 26
A658 4121	Stapler Cam	5- 38
A658 4141	Stapler Support Plate	5- 18
A658 4171	Stapler Bracket	5- 10
A658 4181	Stapler Drive Bracket	5- 3
A658 4182	Staple Fixing Plate	5- 5
A658 4183	Stapler Inner Cover	5- 15
A658 4184	Lower Entrance Guide	5- 13

Part No.	Description	Page and Index No.
A658 4191	Stapler Entrancce Guide	11- 30
A658 4192	Magnet Catch Plate	5- 8
A658 5105	Main Control Board	11- 3
A658 5250	Interface Harness Ass'y	11- 6
A658 5260	Stapler Harness	5- 14
A658 5280	Main Harness	11- 2
A658 5310	Jogger Sensor Harness	9- 11
A658 5320	Stapler Sensor Harness	5- 16
A658 5330	Paper Exit Harness	7- 22
A658 5340	Bin Sensor Harness	11- 24
A658 5350	Relay Harness - Bin Sensor	11- 1
A658 5360	Motor Harness	7- 1
A658 5370	Relay Harness - Jogger Sensor	11- 16
A658 5380	Relay Harness - Bin Sensor	11- 11
A658 5390	Grounding Wire	5- 11

Part No.	Description	Page and Index No
AA04 3226	Timing Belt - 180S2M	5- 22
AA04 3403	Timing Belt - B40S3M858	9- 30
AA04 3463	Timing Belt - B40S2M316	7- 10
AA04 3464	Timing Belt - B80S3M264	9- 2
AA04 3465	Timing Belt - 214P2M8	9- 18
AA04 3466	Timing Belt - B80S5M475	9- 3
AA04 3471	Timing Belt - B40S2M166	7- 9
AA06 0601	Release Spring	3- 14
AA06 0671	Tension Spring	9- 22
AA06 0672	Belt Spring	9- 14
AA06 0685	Tension Spring:transport:8n	7- 13
AA06 3527	Pressure Spring	5- 31
AA06 3528	Pressure Spring	5- 33
AA06 3530	Pressure Spring	11- 7
AA06 3553	Pressure Spring	7- 29
AA06 3554	Pressure Spring	9- 32
AA06 6565	Spring	7- 27
AA06 6566	Spring	7- 26
AA06 6567	Spring	5- 2
AA08 0225	Bushing - M6	7- 30
AA13 2152	Spacer - 8 X 20 X 1	5- 4
AA14 0140	Screw - M3x4.5	5- 6
AA14 3358	Stepped Screw - M4x3	11- 26
AA14 3396	Screw - M4X4	3- 6
AA14 3478	Stepping Screw - M9	7- 35
AA14 3478	Screw : MM9	3- 25
AB01 3919	Gear - 60Z	5- 23
AB03 0388	Pulley - 16Z	9- 36
AB03 0389	Timing Pulley - Jogger - Drive	9- 27
AB03 0496	Timing Pulley - 18Z	7- 11
AB03 0546	Timig Pulley - T23 S2m	7- 3
AB03 0547	Timing Pulley - T30 S2M	9- 24
AF02 2096	Roller:driven	7- 31
AG07 0004	Magnetic Catch	11- 29
AG07 0004	Magnetic Catch	5- 7

Part No.	Description	Page and Index No.
AJ01 1011	Stapler - EH155R	5- 12
AW02 0049	Photointerruptor - OS - 580213-703	5- 19
AW02 0049	Photointerruptor - OS - 580213-703	11- 12
AW02 0075	Photointerrupter	5- 20
AW02 0075	Photointerrupter	11- 15
AW02 0075	Photointerrupter	9- 10
AW02 0087	Photosensor - LNB4301	11- 10
AW02 0088	Photosensor - PNB4301	11- 23
AW02 0092	Photointerrupter	7- 21
AW03 0071	Optical Fiber	11- 5
AX04 0056	Stepping Motor - DC9.5V 9.0W	5- 25
AX04 0095	Stepping Motor - 24V	9- 13
AX05 0098	DC Motor - D24V 6W	7- 2
AX05 0110	Stepping Motor - 2.4V 7.2W	9- 25

Part No.	Description	Page and Index No
A089 3607	Shoulder Screw	3- 26
A300 3759	Spring	5- 42
A354 4475	Timing Belt Stopper - Side fence	9- 29
A377 1116	Stud Screw - M6	9- 5
A377 3447	Small Guide Roller	9- 17
A377 4417	Support Roller	7- 14
A499 2444	Middle Belt Roller	5- 26
A548 2139	Idle Pulley	9- 20
A548 2139	Idle Pulley	7- 7
A555 1221	Roller Brcaket	11- 31
A555 1231	Gate Pawl Bracket	3- 5
A555 1551	Grip	3- 13
A555 1566	Release Handle Pawl	3- 11
A555 1850	Decal - Staple Position	13- 1
A555 2156	Timing Pulley - 60Z/18Z	7- 8
A555 2161	Anti Static Brush	7- 28
A555 3102	Bin Ass'y	9- 16
A555 3159	Timing Pulley	9- 19
A555 3182	Stapler Actuator Switch	11- 34
A555 3183	Switch Bracket	11- 33
A555 4141	Jogger Tension Bracket	9- 37
A555 4156	Plate Nut - M4	11- 35
A555 4156	Plate Nut - M4	3- 12
A555 4411	Chuck Move Plate	5- 43
A555 4416	Chuck Move Bracket	5- 35
A555 4422	Upper Chuck Pawl	5- 32
A555 4423	Chuck Arm Pad	5- 34
A555 4426	Arm Link	5- 30
A555 4432	Lower Chuck	5- 36
A555 4442	Middle Arm	5- 29
A555 4451	Chuck Side Fence	5- 41
A555 4456	Roller Holder	5- 40
A555 4461	Chuck Movement Pad	5- 39
A555 4476	Chuck Unit Fixer	5- 37
A555 4521	Chuck Motor Bracket	5- 21

Part No.	Description	Page and Index No.
A555 4532	Pressure Arm	5- 27
A555 4561	Chuck Movement Shaft	5- 24
A555 5410	Grounding Harness	5- 17
A555 6111	Door Stopper	3- 10
A834 2145	Film - Exit Antistatic Brush	7- 36

Part No.	Description	Page and Index No
5053 0447	Bushing - 6mm	7- 18
5403 6246	Stepped Screw - Cleaning	5- 1
5403 6246	Stepped Screw - Cleaning	11- 28
5409 1855	Mounting Pin	7- 6
5442 1659	Stepped Screw - M4	5- 9
5442 1659	Stepped Screw - M4	7- 19
5447 2681	Snap Ring	3- 20
5447 2681	Snap Ring	5- 28
5447 2681	Snap Ring	7- 16
5447 2681	Snap Ring	9- 33

Part No.	Description	Page and Index No.
0313 0050B	Philips Pan Head Screw - M3x5	9-105
0313 0050B	Philips Pan Head Screw - M3x5	5-108
0313 0140B	Philips Pan Head Screw - M3x14	11-112
0314 0060B	Philips Pan Head Screw - M4x6	5-104
0314 0060B	Philips Pan Head Screw - M4x6	7-107
0314 0060B	Philips Pan Head Screw - M4x6	11-116
0314 0080B	Philips Pan Head Screw - M4x8	9-111
0314 0200B	Philips Pan Head Screw - M4x20	3-104
0344 0060F	Philips Truss Head Screw - M4x6	3-103
0450 3008B	Tapping Screw - M3x8	5-101
0450 3008B	Tapping Screw - M3x8	7-104
0451 3006B	Tapping Screw - M3x6	5-103
0451 3006B	Tapping Screw - M3x6	9-102
0451 3006B	Tapping Screw - M3x6	3-102
0451 3006B	Tapping Screw - M3x6	11-101
0451 3006B	Tapping Screw - M3x6	7-101
0574 0050E	Hexagon Headless Set Screw - M4x5	7-102
0574 0050E	Hexagon Headless Set Screw - M4x5	9-110
0720 0040E	Retaining Ring - M4	9-107
0720 0040E	Retaining Ring - M4	5-109
0720 0040E	Retaining Ring - M4	7-103
0720 0040E	Retaining Ring - M4	11-117
0720 0060E	Retaining Ring - M6	11-114
0720 0060E	Retaining Ring - M6	9-108
0741 3006	Ball Bearing - 6x17x6mm	9-101
0802 5238	Tapping Screw - M4x12	5-105
0802 5255	Tapping Screw - M3x8	3-101
0805 0088	Retaining Ring - M6	9-103
0805 0089	Retaining Ring - M4	9-104
0805 3384	Bushing - 5mm	9-112
0807 4103	Spacer - 0.5mm	7-105
0950 4006B	Screw - M4X6	5-106
0950 4006B	Screw - M4X6	11-108
0951 3006B	Philips Screw With Washer - M3x6	5-111
0951 4006B	Philips Screw With Washer - M4x6	9-106

Part No.	Description	Page and Index No
0951 4008B	Philips Screw With Washer - M4x8	5-110
1005 0946	Stepping Motor Cushion	9-113
1105 0193	11050193	11-107
1105 0200	Clamp	7-106
1105 0200	Clamp	11-111
1105 0267	Wire Clamp	11-118
1105 0287	Wire Saddle	5-107
1105 0291	11050291	11-103
1105 0292	11050292	11-104
1105 0322	Cord Bushing	11-109
1105 0328	Harness Clamp - ES-0505	11-110
1105 0329	Clamp - ES-0510	5-102
1105 0349	Edge Saddle	9-109
1105 0409	11050409	11-106
1106 0241	11060241	11-105
1106 0289	Bushing - SR-5N-1	11-119
1106 0459	Bushing - 20.2mm	11-115
1107 0752	Fuse (glass Case) - 5A - 250V	11-102
1204 2384	Interlock Switch	11-113